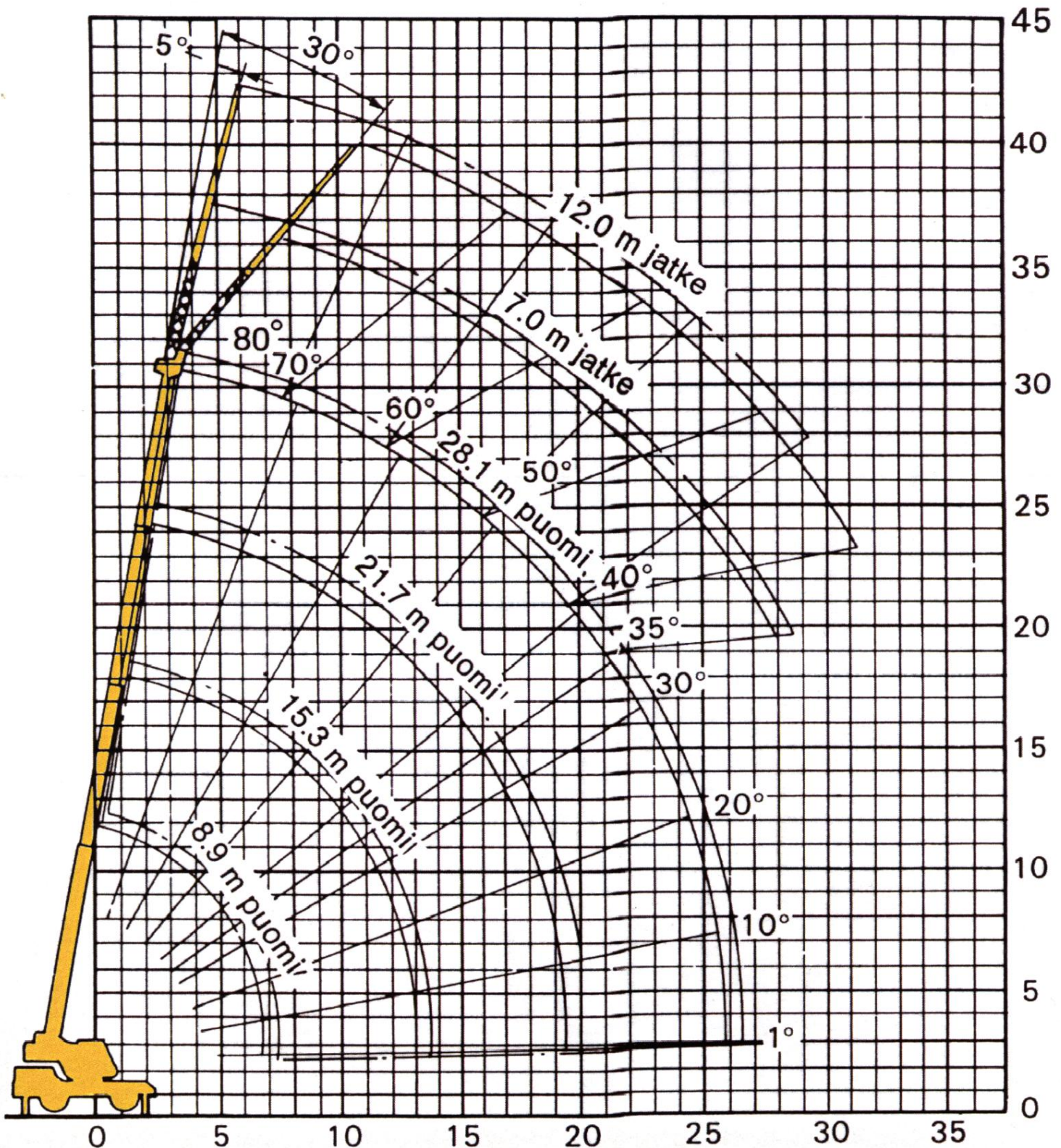


# Tadano TR-300 E

Nostoteho	30 t
Nostosäde	31 m
Nostokorkeus	40 m



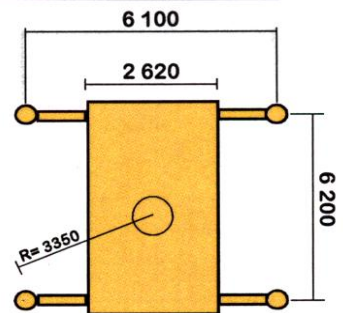
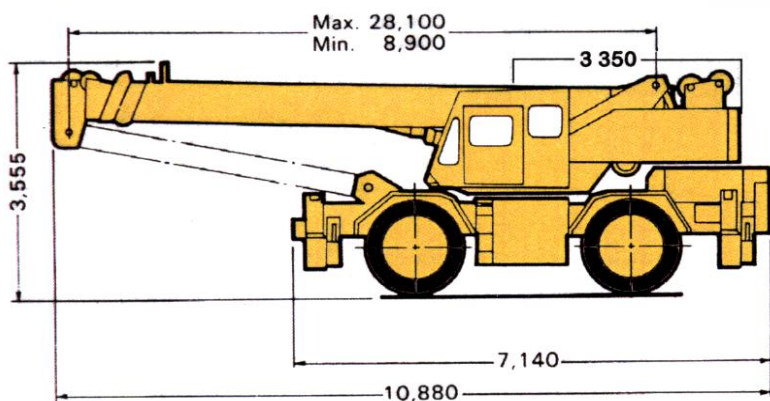
**KAAKON NOSTOT**





Nostotuet täysin ulkona (360°)					Ristikon pituus				
Säde	8.9 m	15.3 m	21.7 m	28.1 m	Nosto- kulma	7.0 m   12.0 m			
						Ristikon kulma			
						5°	30°	5°	30°
3.0 m	30,000	19,200			80	3,000	2,000	2,000	1,000
3.5 m	25,000	19,200	10,300		75	3,000	2,000	2,000	1,000
4.0 m	23,000	19,200	10,300		70.5	3,000	2,000	1,700	940
4.5 m	21,000	17,600	10,300		69	2,800	2,000	1,600	900
5.0 m	19,400	16,200	10,300		65	2,400	1,800	1,400	850
5.5 m	17,700	15,000	10,300		60	2,000	1,550	1,200	800
6.0 m	16,200	13,900	10,300	7,500	55	1,550	1,350	1,100	750
6.5 m	13,600	13,000	9,800	7,500	50	1,100	1,050	950	700
7.0 m		11,600	9,200	7,200	45	900	800	700	650
8.0 m		9,100	8,200	6,600	40	650	600	500	500
9.0 m		7,200	7,400	6,000	35	500	500		
10.0 m		5,900	6,400	5,500					
11.0 m		5,000	5,500	5,000					
12.0 m		4,100	4,700	4,500					
13.0 m		3,500	4,100	4,100					
14.0 m			3,500	3,700					
15.0 m			3,000	3,300					
16.0 m			2,600	2,950					
17.0 m			2,300	2,600					
18.0 m			2,000	2,250					
19.0 m			1,800	2,000					
20.0 m				1,750					
22.0 m				1,400					
24.0 m				1,100					
26.0 m				850					

Säde	Ilman nostotukia											
	Renkailta nosto						Ryömintäaajo (alle 1,6 km/h)					
	Nosto edestä			360°			Nosto edestä			360°		
	8.9 m	15.3 m	21.7 m	8.9 m	15.3 m	21.7 m	8.9 m	15.3 m	21.7 m	8.9 m	15.3 m	21.7 m
3.0 m	14,000	9,000		9,000	7,200		10,500	7,500		7,000	4,900	
3.5 m	14,000	9,000		7,250	7,200		10,500	7,500		6,200	4,900	
4.0 m	12,500	9,000	6,500	6,000	5,500	4,500	9,500	7,500	5,500	5,300	4,900	3,100
4.5 m	10,400	8,800	6,500	4,900	4,450	4,500	8,700	7,500	5,500	4,400	3,900	3,100
5.0 m	8,600	7,800	6,000	4,050	3,800	4,050	7,600	7,000	5,500	3,600	3,300	3,100
5.5 m	7,400	6,800	5,600	3,400	3,100	3,500	6,500	6,100	5,100	3,000	2,700	3,100
6.0 m	6,300	5,900	5,300	2,800	2,600	3,000	5,500	5,300	4,700	2,500	2,300	2,700
6.5 m	5,400	5,300	4,900	2,300	2,200	2,600	4,800	4,700	4,400	2,100	1,900	2,300
7.0 m		4,600	4,550		1,800	2,250		4,100	4,100		1,600	2,000
8.0 m		3,600	3,750		1,200	1,650		3,200	3,400		1,100	1,500
9.0 m		2,800	3,150		800	1,300		2,500	2,800		700	1,100
10.0 m		2,200	2,600			950		2,000	2,300			800
11.0 m		1,750	2,100			650		1,600	1,900			600
12.0 m		1,350	1,700					1,200	1,550			
13.0 m		1,050	1,400					1,000	1,300			
14.0 m			1,100						1,050			
15.0 m			900						850			
16.0 m			750						700			
17.0 m			600									



Tadano TR-300 E

Paino 26 t